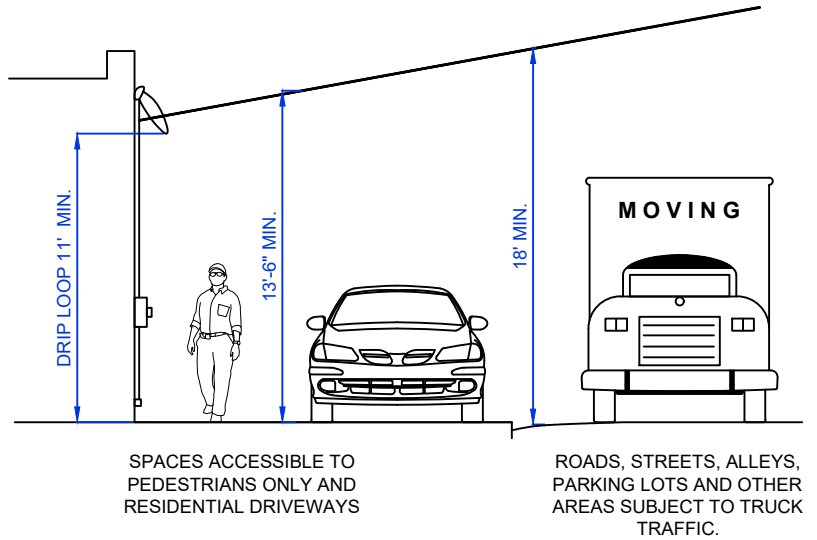
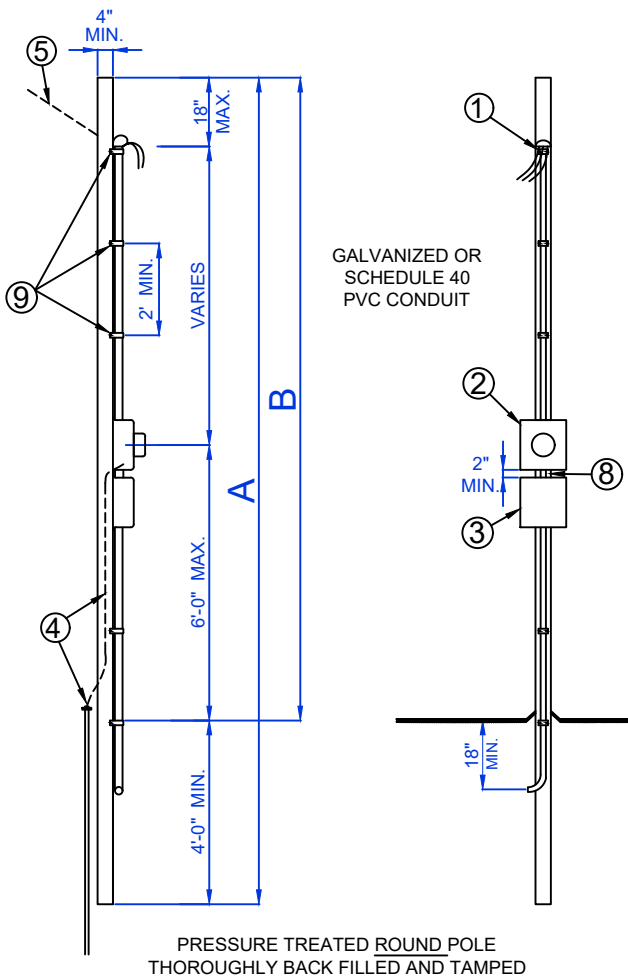


METER AND SERVICE SPECIFICATIONS

- A:** FOR RESIDENTIAL PURPOSE, LENGTH TO BE 18'-0"
FOR AGRICULTURAL PURPOSE, LENGTH TO BE 20'-0"
- B:** FOR RESIDENTIAL PURPOSE, LENGTH ABOVE GROUND TO BE 14'-0"
FOR AGRICULTURAL PURPOSE, LENGTH ABOVE GROUND TO BE 16'-0"

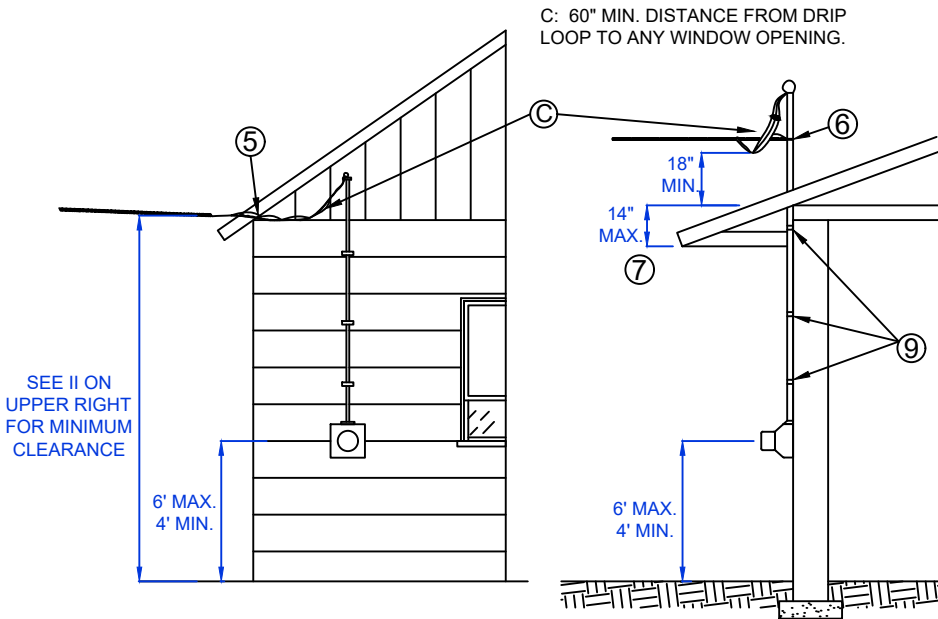


II. CLEARANCE REQUIREMENTS FOR OVERHEAD SERVICE DROPS

All installations shall meet the requirements of the current edition of the National Electrical Code (NEC) and local building and zoning department having jurisdiction. The location of the meter and service to entrance equipment is subject to the approval of the cooperative and appropriate regulatory body approving the meter installation.

Notes:

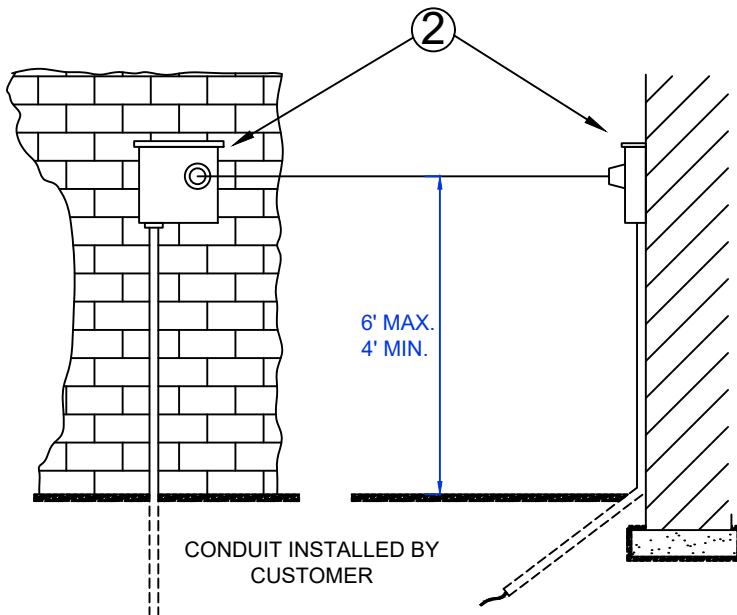
- The service entrance capacity shall be sized to accommodate the anticipated load. The minimum capacity for dwellings is 100 amperes.
- The meter base is furnished and installed by the customer.
- Circuit breakers and convenience outlets are installed by the customer as required.
- Customer must provide adequate grounding in accordance with the NEC. Two or more grounding rods/pipes are required, and these must be placed no less than 6' apart and bonded with an appropriate grounding conductor. The grounding conductor must be #6 copper or larger from the meter base to all 5/8" x 8' rods or 3/4" x 8' galvanized pipes.
- Customer must provide a point of attachment for the service conductor to withstand a continuous pull of 200 lbs.
- A 2" minimum rigid metal conduit must be used and installed by the customer where the service entrance extends through the roof. The service may cross no more than 4 feet of roof to the weatherhead. The conduit must withstand 200 lbs. of continuous pull.
- No more than 14" of un-exposed service entrance conduit to the meter may pass through a roof or over-hang.
- Use rigid metallic conduit between the meter base and the customer's service equipment to solidly bond the equipment together.
- Overhead service entrance conduit must be fastened with 3 or more straps spaced no less than 2' apart.



I. TYPICAL OVERHEAD SERVICE INSTALLATIONS

SEE II ON UPPER RIGHT FOR MINIMUM CLEARANCE

METER AND SERVICE SPECIFICATIONS (cont.)

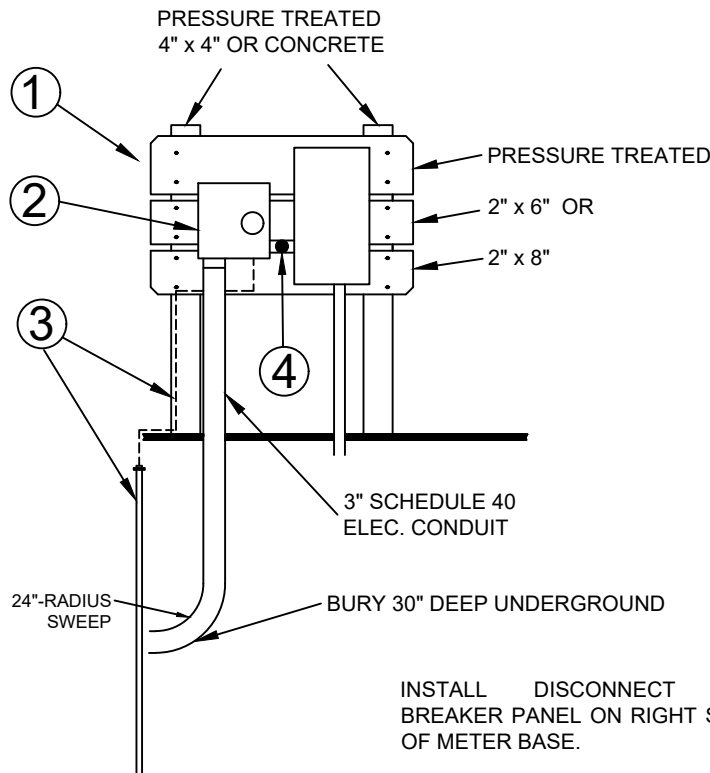


III. TYPICAL UNDERGROUND RESIDENTIAL SERVICE INSTALLATION

All installations shall meet the requirements of the current edition of the National Electrical Code (NEC) and local building and zoning department having jurisdiction. The location of the meter and service to entrance equipment is subject to the approval of the cooperative and appropriate regulatory body approving the meter installation.

Notes:

1. The service entrance capacity shall be sized to accommodate the anticipated load. The minimum capacity for dwellings is 100 amperes.
2. The meter base is furnished and installed by the customer.
3. Customer must provide adequate grounding in accordance with the NEC. Two or more grounding rods/pipes are required, and these must be placed no less than 6' apart and bonded with an appropriate grounding conductor. The grounding conductor must be #6 copper or larger from the meter base to all 5/8" x 8' rods or 3/4" x 8' galvanized pipes.
4. Use rigid metallic conduit between the meter base and the customer's service equipment to solidly bond the equipment together.



IV. TYPICAL UNDERGROUND